



**PT79263**  
**Flyback Transformer**

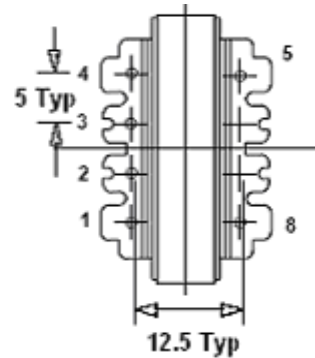
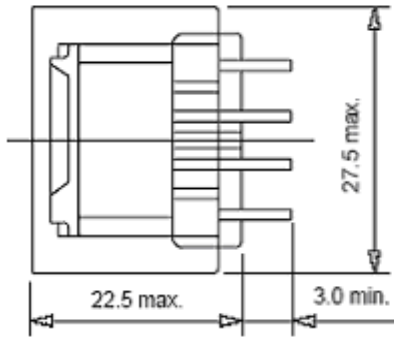
- Designed to be used with ON Semiconductor Chip Set NCP1216P100
- Operating temperature: -40°C to +85°C

**Electrical specifications @ 25°C**

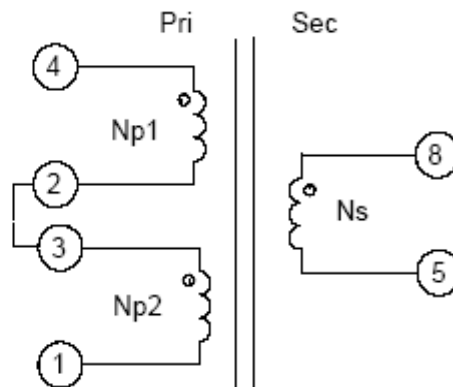
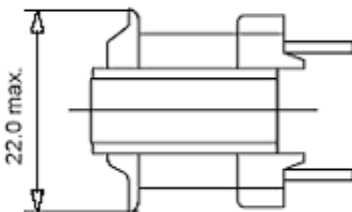
Ls (4-1) Short 2-3	350µH±10% @1kHz,0.1V
Le (4-1) Short 2-3	11µH Typ. @100kHz,0.1V, Short 5-8
DCR (4-2)	183 mΩ Max
DCR (3-1)	191 mΩ Max
DCR (8-5)	377 mΩ Max
T/R (4-1) : (5-8)	1: 1 ±2%
Phase	3, 4 and 8 are same phase
Hipot	Pri to Sec @ 3KVac, 1Sec Min
Hipot	Pri to Core @ 1.5KVac, 1Sec Min



**Mechanical Dimensions and Schematic**



Connect on PCB:  
pin# 2 & 3



$N_p : N_s = 1 : 1$

All dimensions are in inches/millimeters  
Unless specified otherwise the tolerance is ±0.01/±0.25mm