

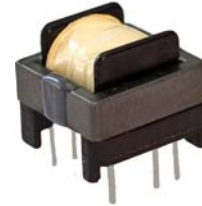


PT79262
Flyback Transformer

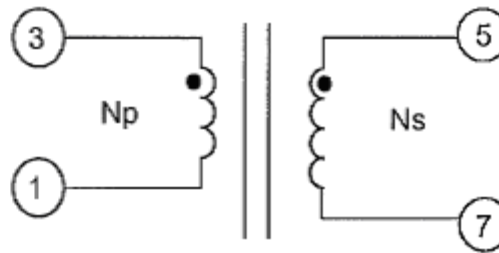
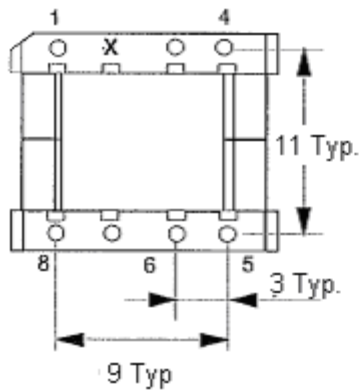
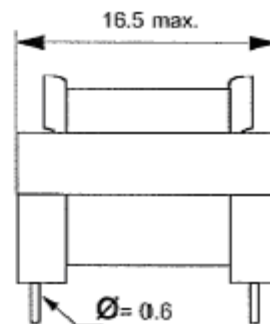
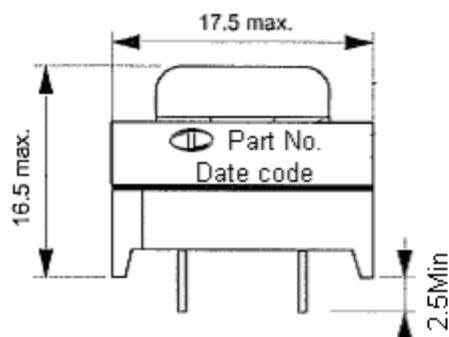
- Designed to be used with ON Semiconductor Chip Set NCP1014AP100
- Operating temperature: -40°C to +85°C

Electrical specifications @ +25 °C

| | |
|-------------------|-----------------------------------|
| Ls (3-1) | 3.3mH ±15% @1kHz, 0.1V |
| Le (3-1) | 44µH Typ @100kHz, 0.1V, Short 5-7 |
| DCR (3-1) | 4.8 Ω Max |
| DCR (5-7) | 220 mΩ Max |
| T/R (3-1) : (5-7) | 1 : 0.134 ±2% |
| Phase | 3 and 5 are the same phase |
| Hipot | Pri to Sec @ 3K Vac, 1 Sec Min |
| Hipot | Pri to Core @ 1.5K Vac, 1 Sec Min |



Mechanical Dimensions and Schematic



Schematic

Vin 85 to 265 Vac
fsw = 100 KHz

All dimensions are in millimeters
Unless specified otherwise the tolerance is ±0.25mm