



V.22bis MODEM TRANSFORMER LM72019

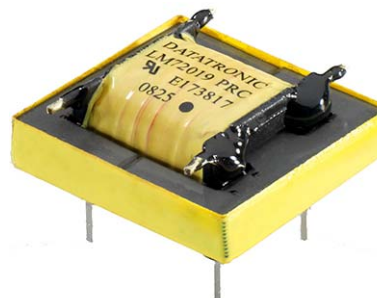
UL1459 file no. E173817

Designed for use with Teridian 73M1903, 73M1903C, 73M2901CE & 73M2901CL

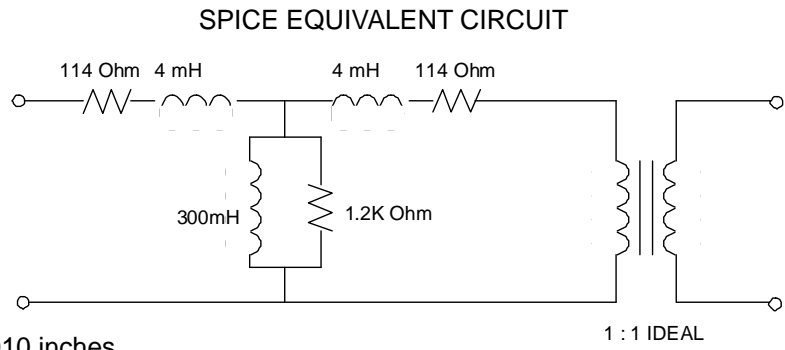
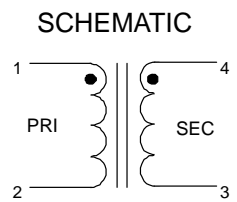
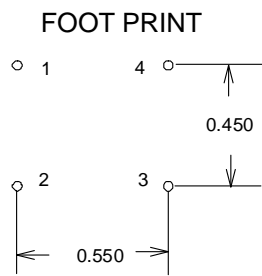
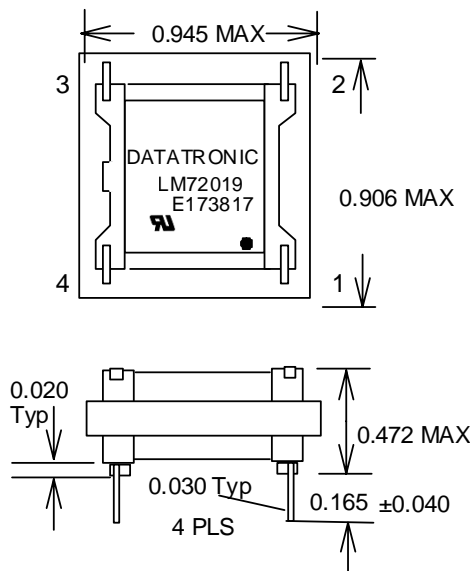
V.22bis modems for voice applications including high speed data modems, satellite set-top boxes, POS terminals, MFP and FAX terminals and IP phones.

Electrical Specifications @ 25°C

Impedance	600Ω Typ, @ 1kHz 1Vrms with 470 Ω termination at secondary
Turns Ratio (1-2) : (4-3)	1.00 :1.00 ±2%
Insertion Loss	2.0 dB ±0.5 dB
Frequency Response	±2.5 dB Max 200-4000Hz
D.C. Resistance ±15%	Primary = 108Ω Secondary = 120Ω
Dielectric Strength Pri. to Sec.	1500Vrms for 1 minute min.
D.C. Current	100mA
Longitudinal Balance	66 dB min @ 200 to 1000Hz
Per FCC 68.310	46 dB min @ 1000 to 4000Hz
Distortion	0.15% @ 600Hz, -10dBm
Operating Temperature	-40 to +105°C
Storage Temperature	-40 to +125°C



Mechanical Outline and Schematic



All dimensions in inches
Unless otherwise specified, tolerance ±0.010 inches